

**White
ROSE**



Strong Block, Safe Passage



Garden Gate Motors



White Rose

Strong Block, Safe Passage

White Rose took its place among the world actors in the automation sector with the products it developed constantly and the projects it realized.

In the globalized economy doing only your work is no longer sufficient. In the globalized world you have to be an expert in your sector. You must both do your work perfectly and also gain your sector brand new innovative products. You must organize partners who will be happy to work with you and become solution partners. This can be organized only in institutions with workers kneaded with science-technology culture that invest money in research and development. With this important target, we are giving direction to the future of automation also by producing solutions to the requirements of this date with our efforts. Therefore, White Rose is holding the title of the shining star of the sector in its hands with an experience of 25 years.

To good days together...

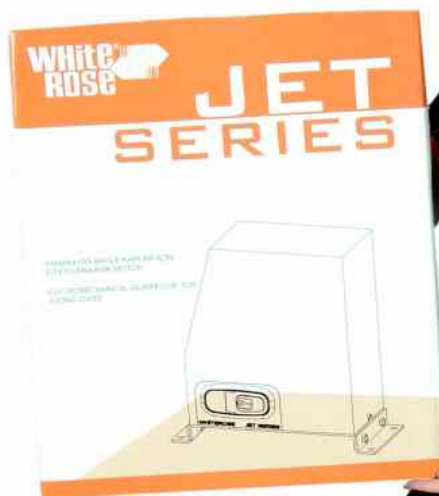
Jet Series Motor



Active Series Motor



Torque Series Motor



Quality :

Our products manufactured in the world standards, along with maintaining its existing quality is continuously developing it with the efforts of our Research-Development team. It possesses ISO 9001-2008 TÜV CERT, TSE-

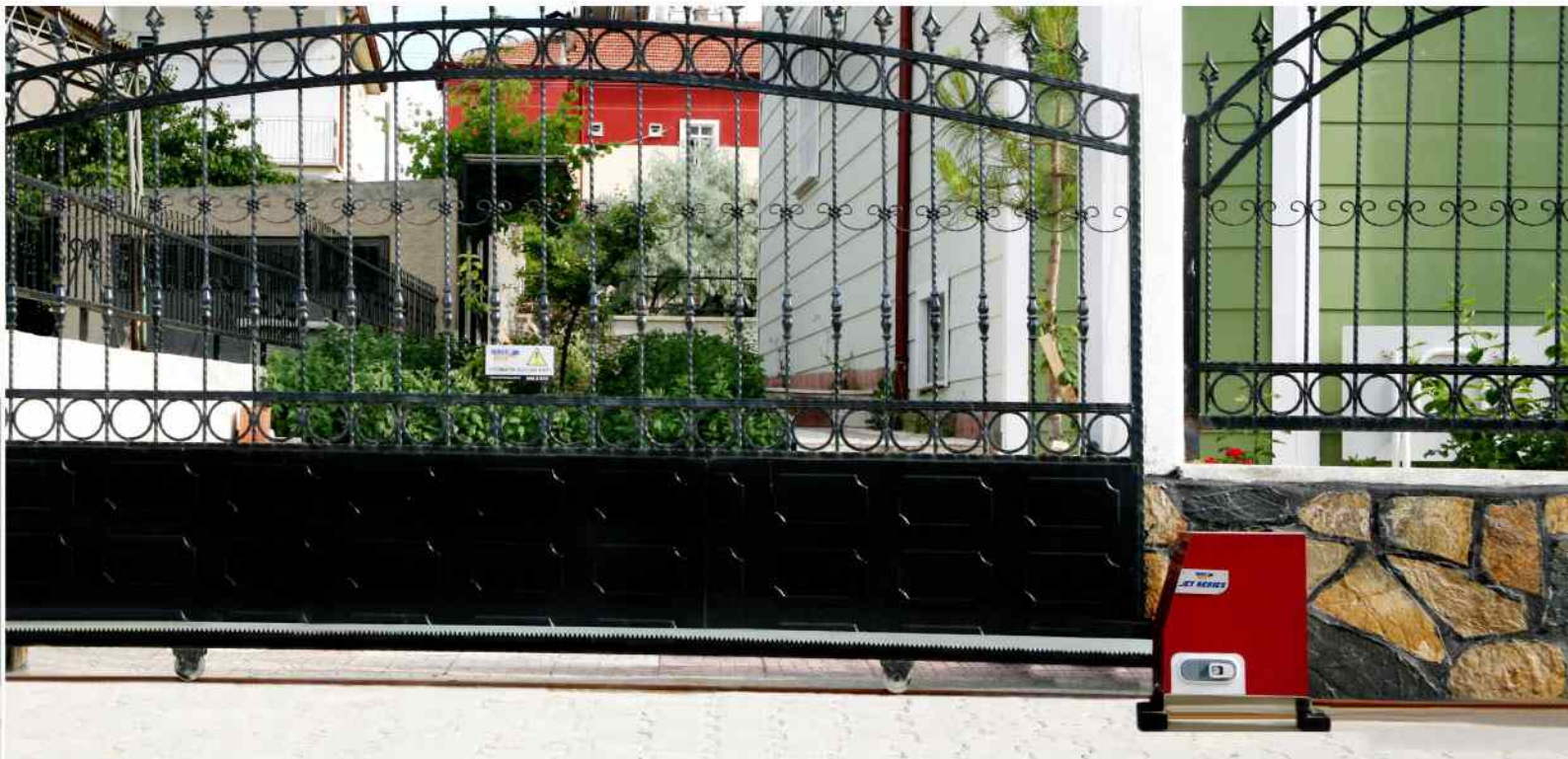


There is no faster
Jet series motors that can open 1
meter in 1 second, with adjustable
strength and speed are manufactured
in conformity with orders.

Jet Series Motor

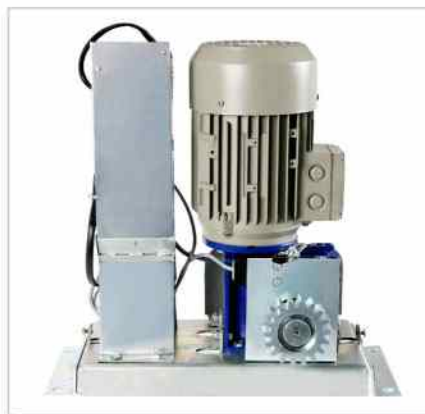
High Level Security

JET Motor has been designed industrial type and having concern of assassination places requiring high level security such as military, police, business centers and factory entrances. Since standard motors cannot endure intense operation, the JET motor we have developed operates without ever stopping.



Controlled Strength

Possesses soft start and soft stop characteristic, maximum 100 cm/s and minimum 20 cm/s opening and closing speeds can be adjusted separately.





Safe Technology

Your safety is under guarantee by means of substance sensitive electronic system.

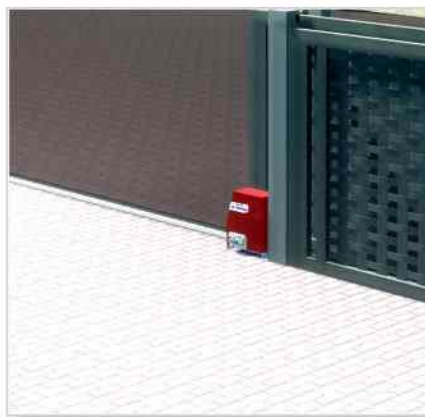
Can operate in low voltage

Jet series motor; can operated in low voltage locations by increasing itself the voltage up to 255 volts. With its digital indicator 100 each parameter adjustment can be made in accordance with the condition of the gate.



Operation Durability 100 %

The operation durability of the motor is 100% and operates without problem even at most intense locations. The Jet series motors that does not know to stop and rest reaches you with necessary tests and quality control performed





Safety with Rolling code

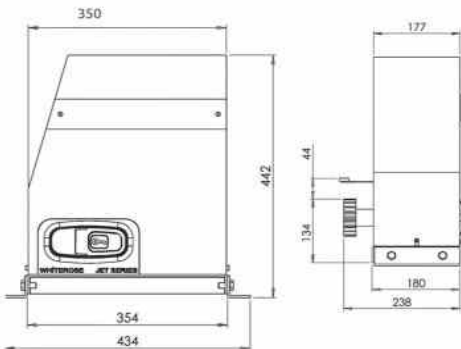
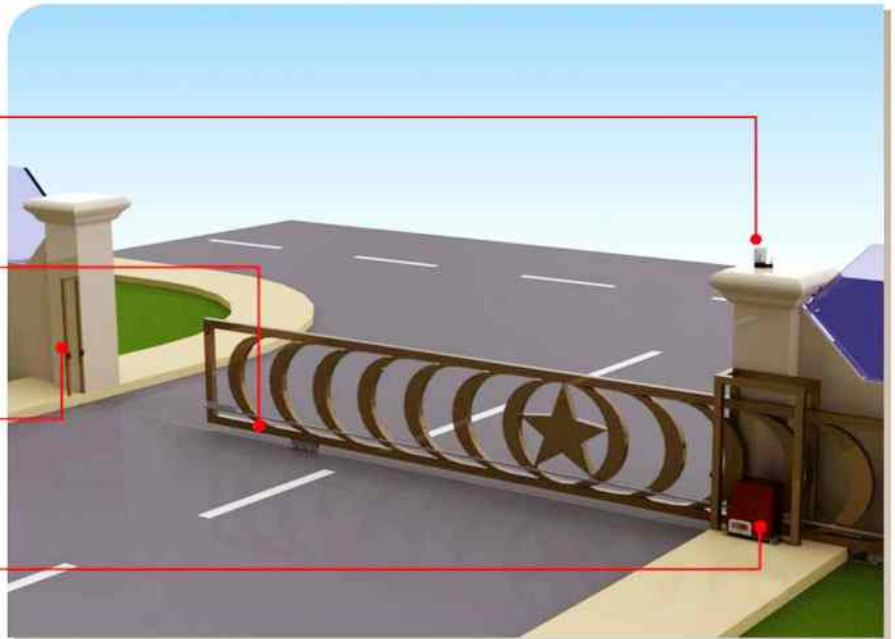
If you are using any of the White Rose Motors, every time you press the control button the code sent to the control unit changes each time and is identified only by the White Rose receiver card. This algorithm makes imitation of the code impossible. Because each code is accepted by the receiver only once.

Signal Lamp and Antenna

Rack and pinion gear

Limit Switch Base

Jet Motor



Series	1000	2000	3000	4000
Maximum Gate Weight	1000	2000	3000	4000
Power Source	230V 50/60 Hz			
Current Draw / A	1,05	3	4,3	5,9
Maximum Torque / Nm	37	77	112	154
Opening Time	Speed Adjusted 12m/min – 40m/min			
Protection Class / IP	54			
Operation Durability / %	100			
Medium Temperature	-20 +70			

- ✓ Models with carrying capacity from 1000 kg to 5000 kg
- ✓ Speed adjustment according to desire.
- ✓ Pedestrian passage mode
- ✓ Power sensitivity adjustment.
- ✓ Optional automatic closing.
- ✓ Pedestrian entrance.
- ✓ Perceives live or lifeless objects between photocell and gap, stops and operates in opposite direction.
- ✓ Signal lamp with led flashing like flasher while operating.
- ✓ Opening and closing speed adjustable separately.
- ✓ 2 Years Guaranteed.

Practical install use



Active Motor which is manufactured in a way which is installed easily and does not require maintenance is a safe product that can operate for long periods. It is manufactured by using developed technology. It is designed steadily with its plastic components produced with high pressure and special alloy sub chassis.

Harmonic with weather conditions

Active Motor possesses IP 54 insulation class which is not effected by weather conditions. Both the electronic and mechanic parts of the durable top cover protects from blows and heavy weather conditions.



Latest technology

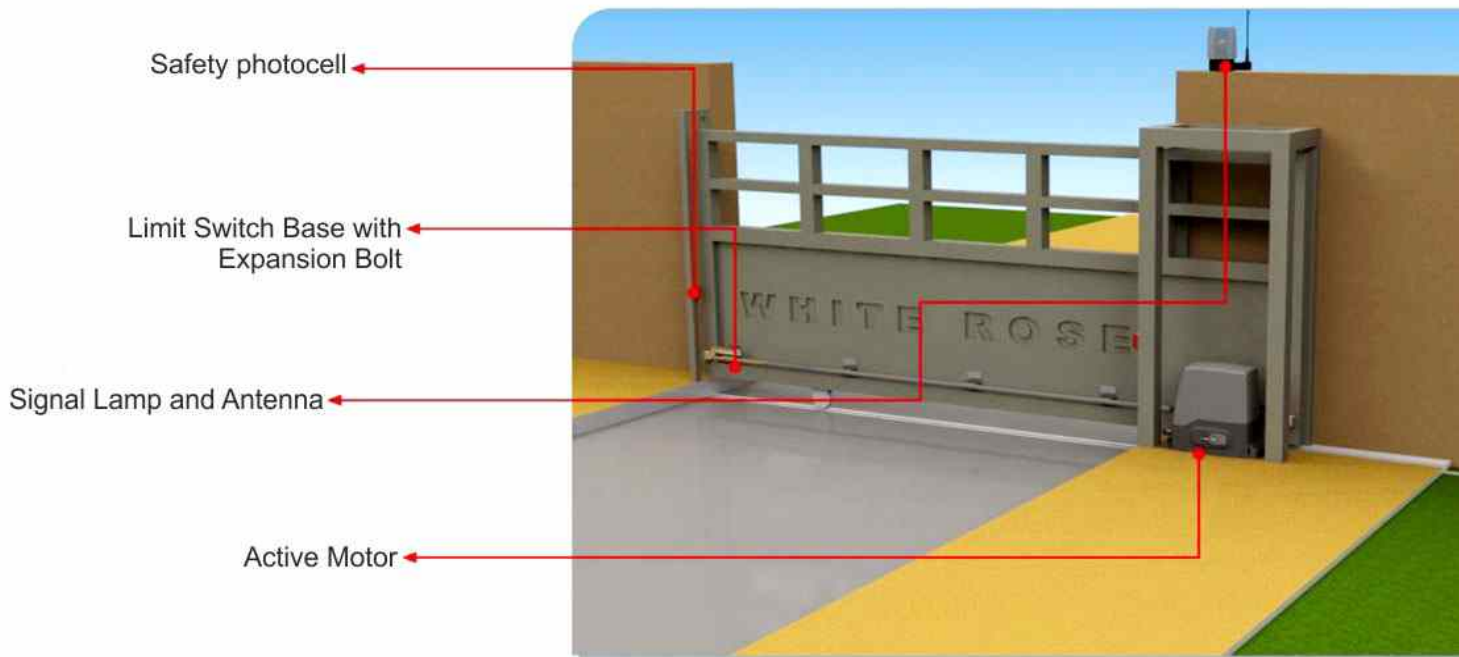
Active Motor possesses perfect technical characteristics carrying latest technology. By means of double channel receiver located on the micro processor control panel, it has characteristics such as pedestrian mode



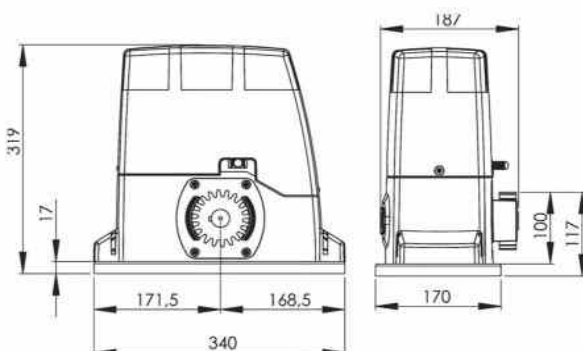


Active Motor is being produced as AC – DC for gates of 600 – 800 kg. in different models.

Active Series Motor



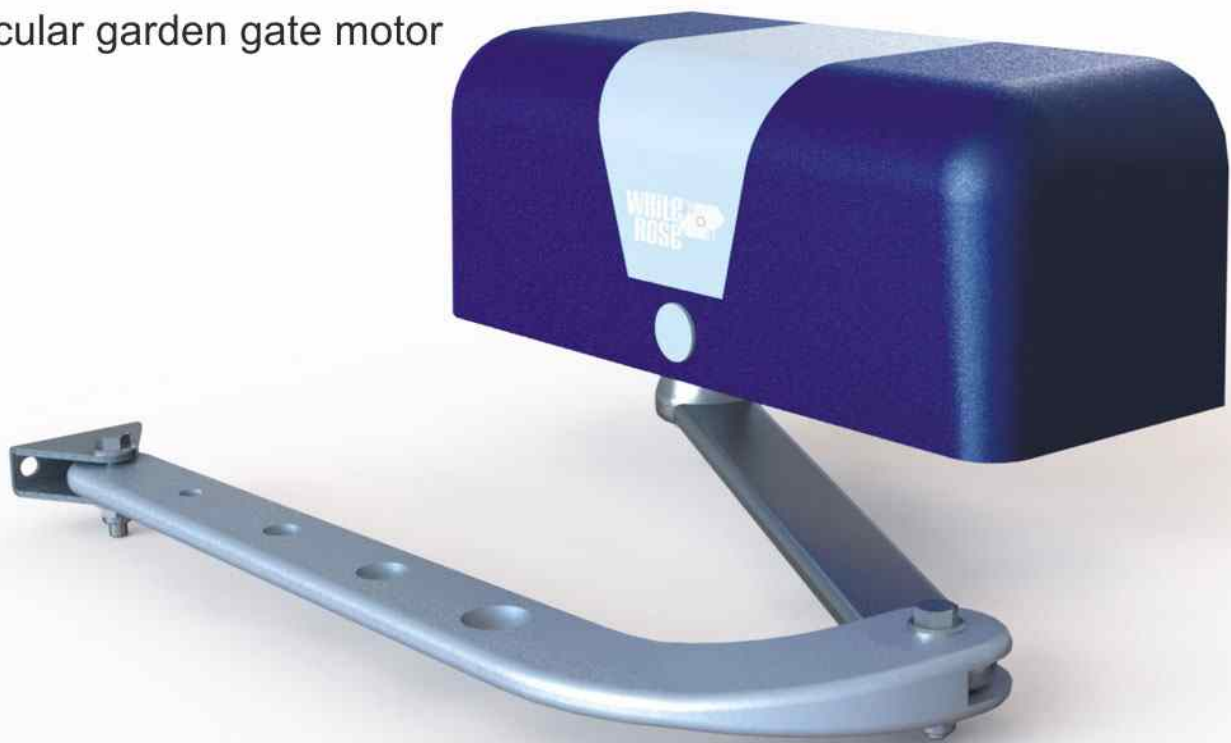
Serial	AC		DC
Maximum gate weight	600	800	600
Power Source	230V 50/60 Hz		
Motor Voltage	230V 50/60 Hz		24V
Current Draw / A	1		4,5
Maximum Torque / Nm	58		40
Opening Time	10 m/min		12 m/min
Protection Class / IP	230V 50/60 Hz		
Operation Durability / %	75	50	100
Medium Temperature /°C	-20 +70		



- ✓ Models with carrying capacity from 100 kg to 800 kg,
- ✓ Optional models with speed adjustment shortening opening time,
- ✓ Silent movement with expansion bolt,
- ✓ Adjustment of power,
- ✓ Optional automatic closing,
- ✓ Perceives live and lifeless objects behind safety photocell and gate.
- ✓ Alternative models that can operate for a period more manually or with battery during power failure,
- ✓ Signal lamp with led flashing like a flasher while operating.
- ✓ Pedestrian mode. (Opening till pedestrian passage gap)
- ✓ 2 year warranty.

TORQUE

Circular garden gate motor



Wise Technology

Torque circular gate motor provides easy and safe use by means of micro processor control panel designed by our engineers. Torque Circular Gate Motor identifies itself automatically the opening and closing distances.

Safe

Protects you and your loved ones with safety systems of latest technology. This product is very safe with its safety photocells and jam perceiving system.



Harmonic with every type of circular opening gate

It is a healthy and safe motor with electromechanic action for circular opening gates. It is designed harmonic for all types of circular opening Gates. It is applicable to all types of access control systems and has private key for manual use.



Practical installation

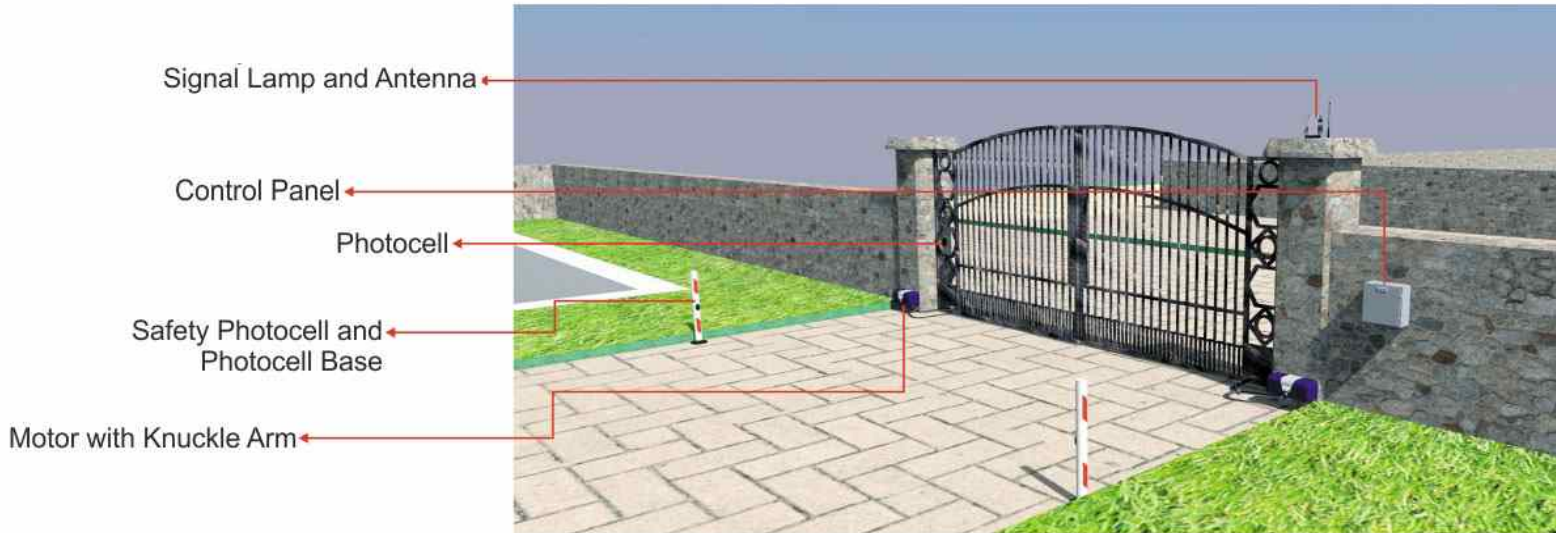


Global service network

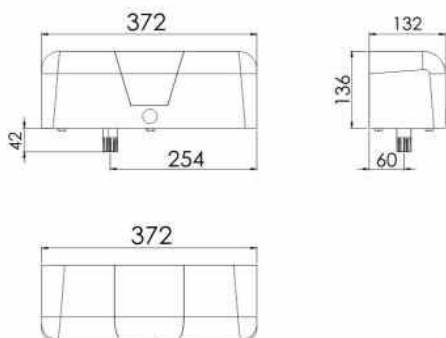
Our firm providing uninterrupted service before and after sales will assist the clients on the subject of proposal and sales of the products suitable for occasions with his client representative department. Our team who are together with the clients during installation and service phases with the technical service department, have adopted the new service concept and client focused principles. With our expert staff who are experienced in their branches and dealer network dispersed throughout Turkey, we are very close to you regardless of where you are. We are company developing automation systems and producing all of the software and automation equipment, and at the same time providing maintenance service of the products with our wide dealer network and we are constantly following and developing the technology.

The applications of our dealers who are active in various regions of Turkey who wished to become authorized service have been evaluated and the best and most qualitative of these services have been included in our formed service network for providing better service to our clients.

Torque Circular Gate Motor, Technical Information



Power Source	230V AC 50-60 Hz
Maximum Torque / Nm	480
Average Current / A	1
Condenser	8 μ f
Opening time 90° / s	16
Medium Temperature / °C	-20 +70
Operation durability / %	50
Protection Class / IP	54



- ✓ Carrying capacity along 2,5 m. average single wing is 250 kg
- ✓ Opening characteristic up to 125 degrees,
- ✓ Adjustment characteristic for pushing power,
- ✓ Optional automatic closing,
- ✓ Perceives live or lifeless objects between photocell and gap, stops and operates in opposite direction
- ✓ Led signal lamp flashing like a flasher while operating,
- ✓ Pedestrian mode. (Opening till pedestrian passage gap),
- ✓ 2 year warranty.

Signal Lamp



Safety photocell



R4 Rolling Control



K4 Control



S2 Control



You Also Join the White Rose Family



You also join this family



White Rose which is one of the firms that has a say in the world of automation sector, is sharing its 25 years of experience and expertise through its active dealers in the region across the world. Let us proceed together to the future on the road enlightened by our past. You also join the White Rose family.

Please reach us to cooperate with White Rose who has different dealership models in line with the requirements and potential of the market. From over the world www.whiterose.com.tr and from all over Turkey 444 26 14.

www.whiterose.com.tr



+90 444 26 14
www.whiterose.com.tr

Main Factory

Organize Sanayi Bölgesi 9. Cad. No:1
KARAMAN
Tel: +90 (338) - 224 13 60 pbx
Fax: +90 (338) 224 14 46
whiterose@whiterose.com.tr

İstanbul

Emek Mahallesi Nato Yolu Cad. No:317
SANCAKTEPE-İSTANBUL
Tel: +90 (216) - 527 90 90 pbx
Fax: +90 (216) - 527 90 87
istanbul@whiterose.com.tr

medija istanbul
www.whiterose.com

